



Fuente LPV-35

Fuente de alimentación de 35W para exteriores especialmente diseñada para tiras LED.



Características

- Diseño de voltaje constante
- Entrada Universal AC / Full Range.
- Resiste una entrada de sobretensión de 300VAC durante 5 segundos.
- Protecciones: Cortocircuito / Sobrecarga / Sobretensión.
- Enfriamiento por convección de aire libre.
- Tamaño reducido y compacto.
- Totalmente encapsulado, con nivel IP67.
- Caja de plástico con aislamiento completo.
- Unidad de potencia Clase II, sin FG.
- Unidad de potencia Clase II.
- Permiso LPS.
- Bajo coste y alta fiabilidad.
- Testado de quemado a 100% de carga.
- 2 años de garantía.
- Certificaciones: **LPS IP67** IS 15885(Part 2)Sec13 **UL** **EAC** **CB** **CE** R-41027766 (for 12V,24V only)



Producto de la firma:

Aplicación

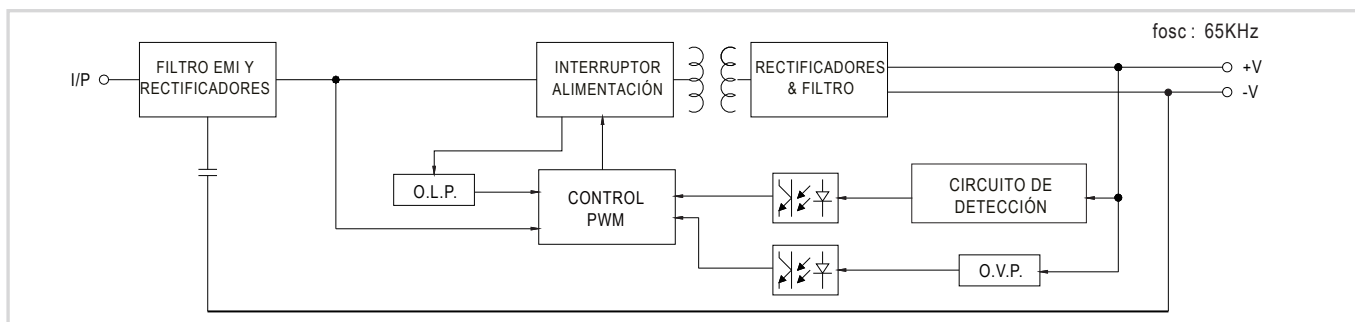
Adecuado para LEDs o dispositivos relacionados con LEDs (como decoración LED o soportes publicitarios).

Parámetros

| Artículo | Voltaje | Rango entrada universal | Rango Frecuencia | Intensidad de salida | Potencia | Dimensiones | Eficiencia | Ruido y Rizado | Temperatura de trabajo |
|-----------|---------|-------------------------|------------------|----------------------|----------|-------------|------------|----------------|------------------------|
| LPV-35-12 | 12V | 90 ~ 264VAC | 47 ~ 63HZ | 0 ~ 3A | 36W | 148x40x30mm | 84% | 120MVP-P | -30°C a 65°C |

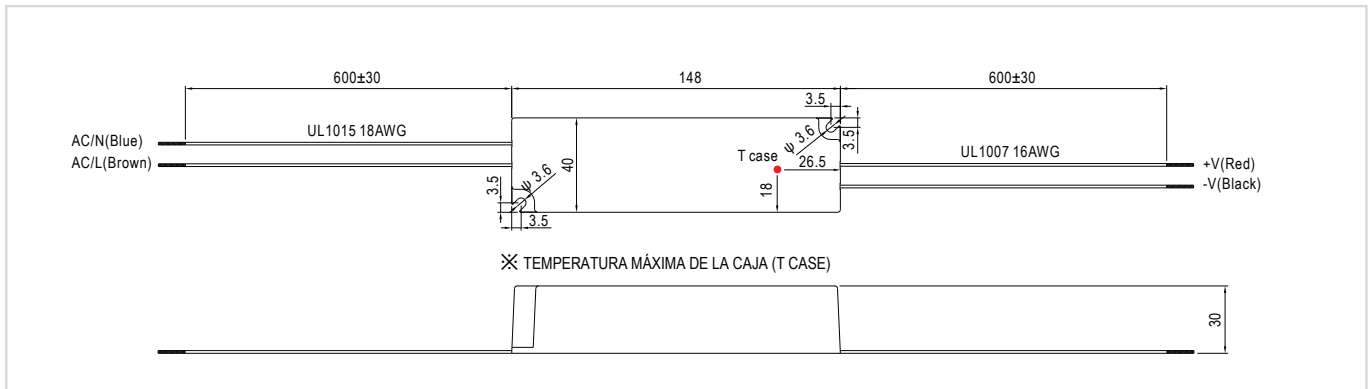
| Artículo | Voltaje | Rango entrada universal | Rango Frecuencia | Intensidad de salida | Potencia | Dimensiones | Eficiencia | Ruido y Rizado | Temperatura de trabajo |
|-----------|---------|-------------------------|------------------|----------------------|----------|-------------|------------|----------------|------------------------|
| LPV-35-24 | 24V | 90 ~ 264VAC | 47 ~ 63HZ | 0 ~ 1.5A | 36W | 148x40x30mm | 85% | 150MVP-P | -30°C a 65°C |

Diagrama de bloques

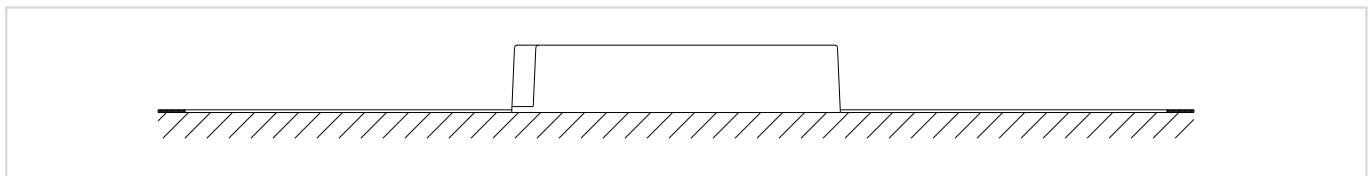




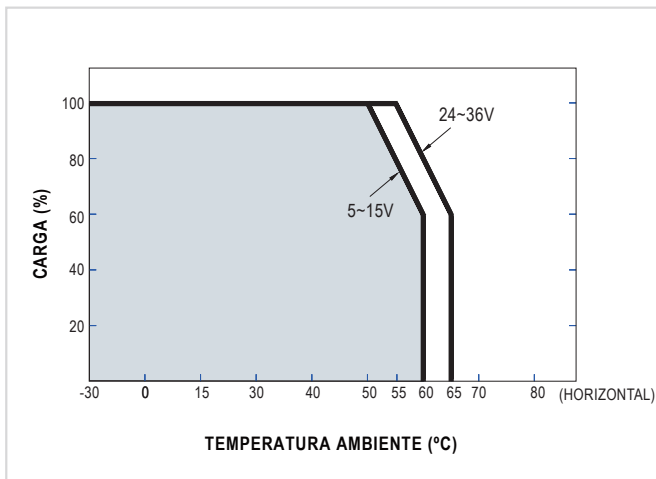
Dimensiones (unidades en mm)



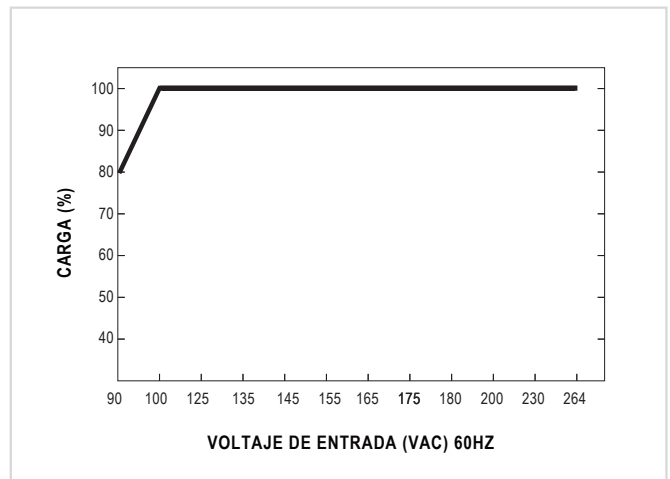
Orientación recomendada de montaje



Reducción de la curva



Estática





Otros datos ofrecidos por Mean Well

SPECIFICATION

| MODEL | LPV-35-5 | LPV-35-12 | LPV-35-15 | LPV-35-24 | LPV-35-36 | |
|--------------|--|--|-----------------------------------|----------------|--------------|--------------|
| OUTPUT | DC VOLTAGE | 5V | 12V | 15V | 24V | 36V |
| | RATED CURRENT | 5A | 3A | 2.4A | 1.5A | 1A |
| | CURRENT RANGE | 0 ~ 6A (Note.7) | 0 ~ 3A | 0 ~ 2.4A | 0 ~ 1.5A | 0 ~ 1A |
| | RATED POWER | 30W | 36W | 36W | 36W | 36W |
| | RIPPLE & NOISE (max.) Note.2 | 80mVp-p | 120mVp-p | 120mVp-p | 150mVp-p | 150mVp-p |
| | VOLTAGE TOLERANCE Note.3 | ±6.0% | ±5.0% | | | |
| | LINE REGULATION | ±1.0% | | | | |
| | LOAD REGULATION | ±4.0% | ±2.0% | | | |
| | SETUP, RISE TIME Note.6 | 500ms, 20ms / 230VAC | 500ms, 20ms / 115VAC at full load | | | |
| | HOLD UP TIME (Typ.) | 50ms/230VAC | 16ms/115VAC at full load | | | |
| INPUT | VOLTAGE RANGE Note.4 | 90 ~ 264VAC | 127 ~ 370VDC | | | |
| | FREQUENCY RANGE | 47 ~ 63Hz | | | | |
| | EFFICIENCY (Typ.) | 77% | 84% | 84% | 85% | 85% |
| | AC CURRENT (Typ.) | 1.1A/115VAC | 0.7A/230VAC | | | |
| | INRUSH CURRENT(Typ.) | COLD START 55A(twidth=510µs measured at 50% Ipeak) at 230VAC | | | | |
| | MAX. No. of PSUs on 16A CIRCUIT BREAKER | 4 units (circuit breaker of type B) / 7 units (circuit breaker of type C) at 230VAC | | | | |
| PROTECTION | LEAKAGE CURRENT | 0.25mA / 240VAC | | | | |
| | OVERLOAD | 110 ~ 150% rated output power Protection type : Hiccup mode, recovers automatically after fault condition is removed | | | | |
| | OVER VOLTAGE | 5.75 ~ 6.75V | 13.8 ~ 16.2V | 17.25 ~ 20.25V | 27.6 ~ 32.4V | 41.4 ~ 48.6V |
| ENVIRONMENT | WORKING TEMP. | -30 ~ +65°C (Refer to "Derating Curve") | | | | |
| | WORKING HUMIDITY | 20 ~ 90% RH non-condensing | | | | |
| | STORAGE TEMP., HUMIDITY | -40 ~ +80°C, 10 ~ 95% RH | | | | |
| | TEMP. COEFFICIENT | ±0.03%/°C (0 ~ 50°C) | | | | |
| | VIBRATION | 10 ~ 500Hz, 2G 10min./1cycle, period for 60min. each along X, Y, Z axes | | | | |
| SAFETY & EMC | SAFETY STANDARDS | UL1310 class 2, CAN/CSA No. 223-M91, BIS IS15885(for LPV-35-12,LPV-35-24 only), IEC/EN 62368-1, EAC TP TC 004, IP67 approved | | | | |
| | WITHSTAND VOLTAGE | I/P-O/P:3KVAC | | | | |
| | ISOLATION RESISTANCE | I/P-O/P:>100M Ohms / 500VDC / 25°C/ 70% RH | | | | |
| | EMC EMISSION | Compliance to EN55032 (CISPR32) Class B, EN61000-3-2 Class A, EN61000-3-3, EAC TP TC 020 | | | | |
| | EMC IMMUNITY | Compliance to EN61000-4-2,3,4,5,6,8,11, EN55024, light industry level, criteria A, EAC TP TC 020 | | | | |
| OTHERS | MTBF | 743.5Khrs min. MIL-HDBK-217F (25°C) | | | | |
| | DIMENSION | 148*40*30mm (L*W*H) | | | | |
| | PACKING | 0.34Kg; 40pcs/14.6Kg/0.70CUFT | | | | |
| NOTE | <p>1. All parameters NOT specially mentioned are measured at 230VAC input, rated load and 25°C of ambient temperature.</p> <p>2. Ripple & noise are measured at 20MHz of bandwidth by using a 12" twisted pair-wire terminated with a 0.1µf & 47µf parallel capacitor.</p> <p>3. Tolerance : includes set up tolerance, line regulation and load regulation.</p> <p>4. Derating may be needed under low input voltage. Please check the static characteristics for more details.</p> <p>5. The power supply is considered as a component that will be operated in combination with final equipment. Since EMC performance will be affected by the complete installation, the final equipment manufacturers must re-qualify EMC Directive on the complete installation again.</p> <p>6. Length of set up time is measured at first cold start. Turning ON/OFF the power supply may lead to increase of the set up time.</p> <p>7. LPV-35-5 can provide 6A of output current continuously. Based on the requirement of UL1310 class 2, the output current is only certified up to 5A for the test report of LPV-35-5.</p> <p>8. Suitable for indoor use or outdoor use without direct sunlight exposure. Please avoid immerse in the water over 30 minute.</p> <p>9. The ambient temperature derating of 3.5°C/1000m with fanless models and of 5°C/1000m with fan models for operating altitude higher than 2000m(6500ft).</p> <p>10. Products sourced from the Americas regions may not have the TUV/BIS/CCC logo. Please contact your MEAN WELL sales for more information.</p> <p>11. For any application note and IP water proof function installation caution, please refer our user manual before using. https://www.meanwell.com/Upload/PDF/LED_EN.pdf</p> <p>12. This product is not intended for LED applications in the EU.(In the EU NPF/LPF/XLG series are recommended.)</p> <p>13. To fulfill requirements of latest ErP regulation for lighting luminaires, this LED Driver can only be used behind a switch without permanently connected to mains.</p> <p>※ Product Liability Disclaimer : For detailed information, please refer to https://www.meanwell.com/serviceDisclaimer.aspx</p> | | | | | |