



Fuente LRS-200

Fuente de alimentación conmutada de salida única de 200W para interiores.

200w Potencia	12v Voltaje	24v Voltaje	90-132 180-264 VCA
-------------------------	-----------------------	-----------------------	--

Características

- Rango de entrada AC seleccionable por interruptor.
- Resiste una entrada de sobretensión de 300VAC durante 5 segundos.
- Consumo de energía sin carga <0.75W.
- Compacto y de Perfil bajo de 1U.
- Funcionamiento a alta temperatura, hasta 70°C.
- Protecciones: Cortocircuito / Sobrecarga / Sobretensión / Exceso de Temperatura
- Formato caja de rejilla.
- Enfriamiento por convección de aire libre.
- Cumplimiento de la normativa IEC/UL 62368-1.
- Altitud de funcionamiento de hasta 5000 metros.
- Resiste la prueba de vibración 5G.
- Alta eficiencia, larga vida útil y alta fiabilidad.
- Indicador de encendido LED.
- Testado de quemado a 100% de carga.
- 3 años de garantía.
- Certificaciones:



Producto de la firma:



Aplicación

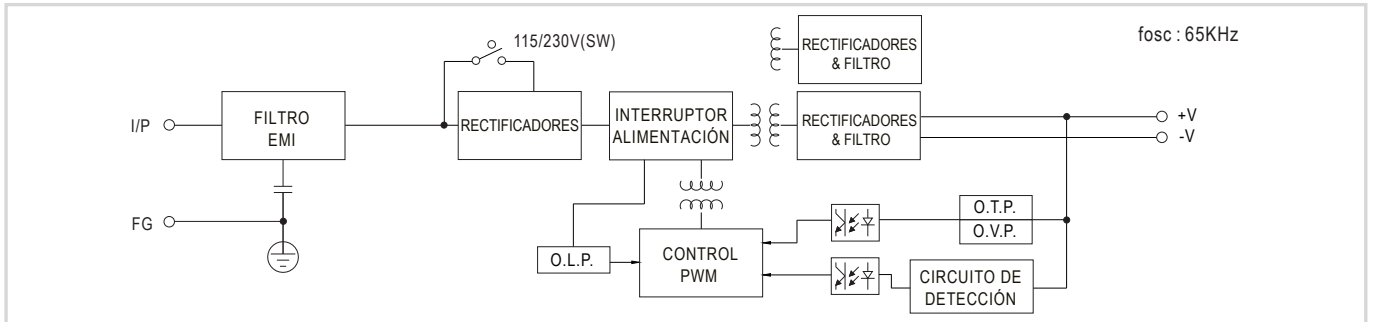
Máquinas de automatización industrial, sistemas de control industrial, equipos mecánicos y eléctricos, instrumentos, equipos o aparatos eléctricos y electrodomésticos.

Parámetros

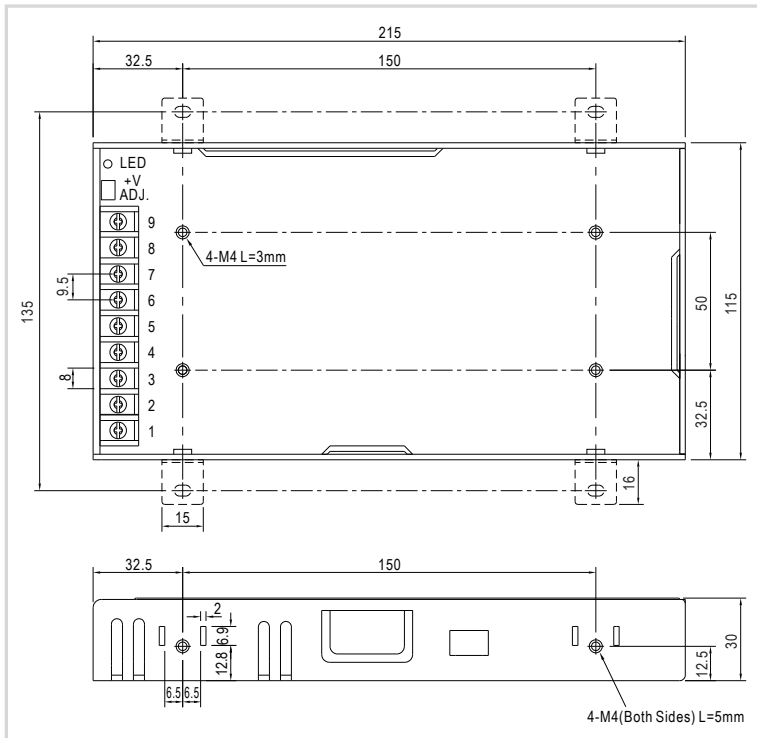
Artículo	Voltaje	Rango entrada universal	Rango Frecuencia	Tensión de salida	Intensidad de salida	Potencia	Dimensiones	Eficiencia	Consumo sin carga	Ruido y Rizado	Temperatura de trabajo
LRS-200-12	12V	90-132VCA 180-264VCA	47 ~ 63HZ	10.2 ~ 13.8VCC	0 ~ 17A	204W	215x115x30mm	87.5%	<0.75W	150MVP-P	-25°C a 70°C
LRS-200-24	24V	90-132VCA 180-264VCA	47 ~ 63HZ	21.6 ~ 28.8VCC	0 ~ 8.8A	211.2W	215x115x30mm	89.5%	<0.75W	150MVP-P	-25°C a 70°C



Diagrama de bloques



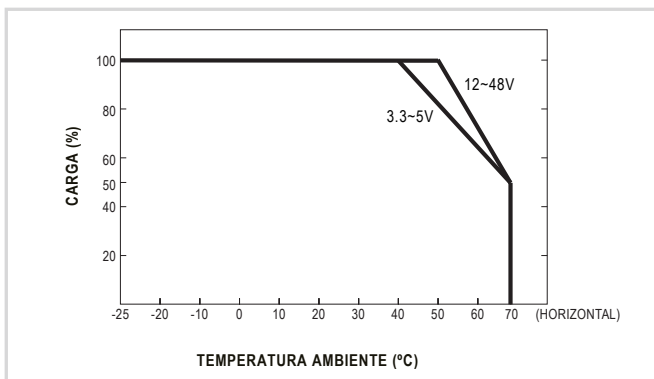
Dimensiones (unidades en mm)



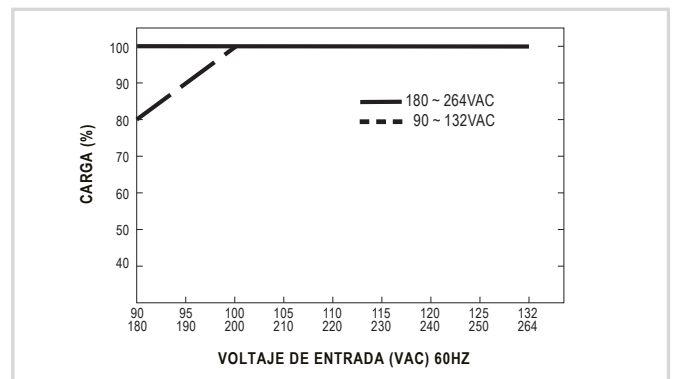
Asignación N° Pin - Terminal

N° Pin	Asignación	N° Pin	Asignación
1	AC/L	4~6	DC OUTPUT -V
2	AC/N	7~9	DC OUTPUT +V
3	FG \perp		

Reducción de la curva



Estática





Otros datos ofrecidos por Mean Well

SPECIFICATION

MODEL	LRS-200-3.3	LRS-200-4.2	LRS-200-5	LRS-200-12	LRS-200-15	LRS-200-24	LRS-200-36	LRS-200-48		
OUTPUT	DC VOLTAGE	3.3V	4.2V	5V	12V	15V	24V	36V	48V	
	RATED CURRENT	40A	40A	40A	17A	14A	8.8A	5.9A	4.4A	
	CURRENT RANGE	0 ~ 40A	0 ~ 40A	0 ~ 40A	0 ~ 17A	0 ~ 14A	0 ~ 8.8A	0 ~ 5.9A	0 ~ 4.4A	
	RATED POWER	132W	168W	200W	204W	210W	211.2W	212.4W	211.2W	
	RIPPLE & NOISE (max.) Note.2	150mVp-p	150mVp-p	150mVp-p	150mVp-p	150mVp-p	150mVp-p	200mVp-p	200mVp-p	
	VOLTAGE ADJ. RANGE	2.97 ~ 3.6V	3.6 ~ 4.4V	4.5 ~ 5.5V	10.2 ~ 13.8V	13.5 ~ 18V	21.6 ~ 28.8V	32.4 ~ 39.6V	43.2 ~ 52.8V	
	VOLTAGE TOLERANCE Note.3	±3.0%	±4.0%	±3.0%	±1.5%	±1.0%	±1.0%	±1.0%	±1.0%	
	LINE REGULATION Note.4	±0.5%	±0.5%	±0.5%	±0.5%	±0.5%	±0.5%	±0.5%	±0.5%	
	LOAD REGULATION Note.5	±2.5%	±2.5%	±2.0%	±1.0%	±0.5%	±0.5%	±0.5%	±0.5%	
	SETUP, RISE TIME	1300ms, 50ms/230VAC		1300ms, 50ms/115VAC at full load						
HOLD UP TIME (Typ.)	16ms/230VAC		12ms/115VAC at full load							
INPUT	VOLTAGE RANGE	90 ~ 132VAC / 180 ~ 264VAC by switch			240 ~ 370VDC (switch on 230VAC)					
	FREQUENCY RANGE	47 ~ 63Hz								
	EFFICIENCY (Typ.)	83%	86%	87%	87.5%	88%	89.5%	89.5%	90%	
	AC CURRENT (Typ.)	4A/115VAC		2.2A/230VAC						
	INRUSH CURRENT (Typ.)	COLD STAR 60A/115VAC		60A/230VAC						
LEAKAGE CURRENT	<2mA / 240VAC									
PROTECTION	OVER LOAD	110 ~ 140% rated output power 3.3~36V Hiccup mode, recovers automatically after fault condition is removed. 48V Shut down and latch off o/p voltage, re-power on to recover.								
	OVER VOLTAGE	3.8 ~ 4.45V	4.6 ~ 5.4V	5.75 ~ 6.75V	13.8 ~ 16.2V	18 ~ 21V	28.8 ~ 33.6V	41.4 ~ 46.8V	55.2 ~ 64.8V	
	OVER TEMPERATURE	3.3~36V Hiccup mode, recovers automatically after fault condition is removed. 48V Shut down and latch off o/p voltage, re-power on to recover.								
ENVIRONMENT	WORKING TEMP.	-25 ~ +70°C (Refer to "Derating Curve")								
	WORKING HUMIDITY	20 ~ 90% RH non-condensing								
	STORAGE TEMP., HUMIDITY	-40 ~ +85°C, 10 ~ 95% RH								
	TEMP. COEFFICIENT	±0.03%/°C (0 ~ 50°C)								
	VIBRATION	10 ~ 500Hz, 5G 10min./1cycle, 60min. each along X, Y, Z axes								
SAFETY	SAFETY STANDARDS	IEC/UL 62368-1, BSMI CNS14336-1, EAC TP TC 004, KC K60950-1(for LRS-200-12/24 only), BIS IS13252(Part1): 2010/IEC 60950-1: 2005, AS/NZS62368.1 approved								
	WITHSTAND VOLTAGE	I/P-O/P:3KVAC I/P-FG:2KVAC O/P-FG:0.5KVAC								
	ISOLATION RESISTANCE	I/P-O/P, I/P-FG, O/P-FG:100M Ohms / 500VDC / 25°C / 70% RH								
	EMC EMISSION	Compliance to BSMI CNS13438, EAC TP TC 020, KC KN32, KN35(for LRS-200-12/24 only)								
EMC IMMUNITY	Compliance to EAC TP TC 020, KC KN32, KN35(for LRS-200-12/24 only)									
OTHERS	MTBF	347.5K hrs min. MIL-HDBK-217F (25°C)								
	DIMENSION	215*115*30mm (L*W*H)								
	PACKING	0.66Kg; 15pcs/10.9Kg/0.78CUFT								
NOTE	<ol style="list-style-type: none"> All parameters NOT specially mentioned are measured at 230VAC input, rated load and 25°C of ambient temperature. Ripple & noise are measured at 20MHz of bandwidth by using a 12" twisted pair-wire terminated with a 0.1uF & 47uF parallel capacitor. Tolerance : includes set up tolerance, line regulation and load regulation. Line regulation is measured from low line to high line at rated load. Load regulation is measured from 0% to 100% rated load. Length of set up time is measured at cold first start. Turning ON/OFF the power supply very quickly may lead to increase of the set up time. The 150% peak load capability is built in for up to 1 second for 12~48V.LRS-200 will enter hiccup mode if the peak load is delivered for over 1 second and will recover once it resumes to the rated current level(115VAC/230VAC). The ambient temperature derating of 5°C/1000m is needed for operating altitude greater than 2000m(6500ft). This power supply does not meet the harmonic current requirements outlined by EN61000-3-2. Please do not use this power supply under the following conditions: <ol style="list-style-type: none"> the end-devices is used within the European Union, and the end-devices is connected to public mains supply with 220Vac or greater rated nominal voltage, and the power supply is: <ol style="list-style-type: none"> installed in end-devices with average or continuous input power greater than 75W, or belong to part of a lighting system Exception: Power supplies used within the following end-devices do not need to fulfill EN61000-3-2 <ol style="list-style-type: none"> professional equipment with a total rated input power greater than 1000W; symmetrically controlled heating elements with a rated power less than or equal to 200W <p>※ Product Liability Disclaimer : For detailed information, please refer to https://www.meanwell.com/serviceDisclaimer.aspx</p>									